



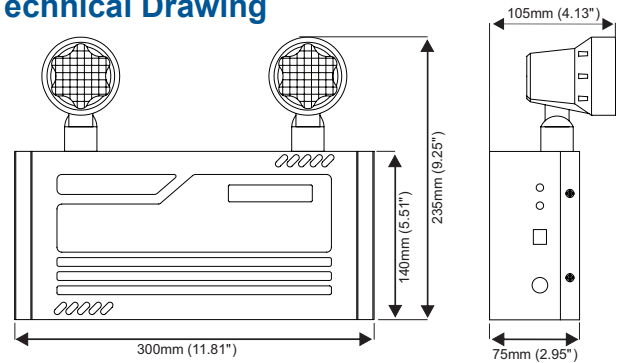
Features

Power on AC	3.2-3.6W
Lamp Type	2x2W LED
Input Voltage	120-347 VAC
Frequency	50/60Hz
Battery Type	Sealed Lead Acid
Working Time - CSA	30 Minutes at 36W
Working Time - cULus	90 Minutes at 12W
Charging Time	24 Hours

Description

- Durable 20 gauge steel housing
- CSA 22.2 and UL 924 Compliant
- Wall mountable
- Input Voltage: 120-347 VAC 50/60Hz
- LED technology
- 6V6Ah Sealed Lead Acid Battery
- CSA Certified Backup time: 30 minutes at 36W 4W from attached heads + up to additional 32W
- cULus Certified Backup time: 90 minutes at 12W 4W from attached heads + up to additional 8W
- Test switch and charge indicator light
- Overcharge & Over-discharge protection
- Suitable for damp locations
- Optional line cord included
- Operating Temperature: 5 °C ~ 30 °C / 41 °F ~ 86 °F

Technical Drawing



Remote Add-ons



EL-7030A (1.5W)
EL-7030A5 (5W)



EL-7030B (3W)
EL-7030B10 (10W)



EL-7030AWP (3W)



EL-7030BWP (6W)



Ordering Information

Model	Description
EL-7061S	Emergency Battery Backup Unit (36W, Remote Capable), 5 per case



Canada

25 Interchange Way Vaughan, ON L4K 5W3
Telephone: (905) 660-4655 | Fax: (905) 660-4113

U.S.A.

4575 Witmer Industrial Estates Niagara Falls, NY 14305
Toll Free: (888) 660-4655 | Fax Toll Free: (888) 660-4113

This document is provided by Mircom Technologies Ltd., MGC Systems Corp., or their affiliates, subsidiaries and brands, for convenience or marketing only and does not describe products or services technically. For technical information refer to technical manuals. We do not make representations or warranties regarding this information, including as to completeness or accuracy. We may change these contents at any time and reserve all rights in the contents, including copyrights, trademarks and other intellectual property. All other trademarks and registered trademarks are properties of their respective owners.